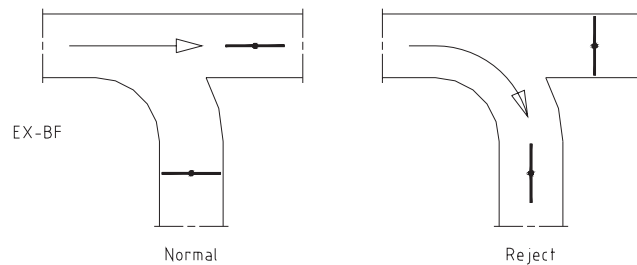


CASSEL

METAL SHARK® IN
Reject valves

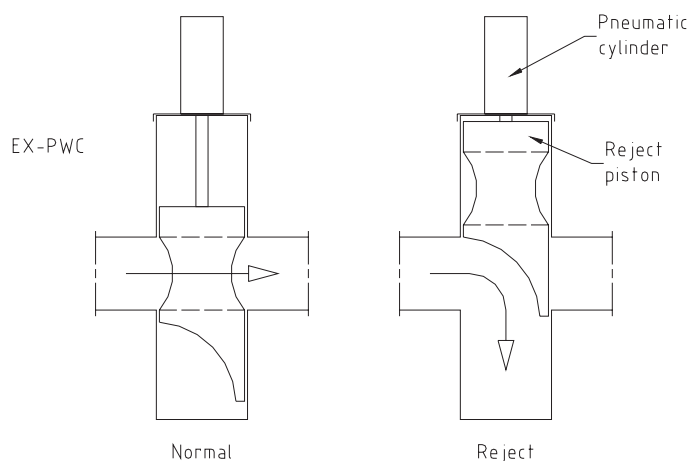
SHARK IN® with rejector EX-BF

Butterfly valves are operationally reliable, easy to maintain and have especially been developed for CIP/SIP applications and high hygienic demands (e.g. Icecream).



SHARK IN® with rejector EX-PWC

The EX-PWC valve is designed for flowing products with non-fluid components (e.g. Sausage, meat).



Headquarters:
Cassel Messtechnik GmbH
In der Dehne 10
37127 Dransfeld, Germany
Tel. ++49-5502-91150
Fax ++49-5502-911532
www.cassel.de info@cassel.de

CASSEL

METAL SHARK
CE www.cassel.de